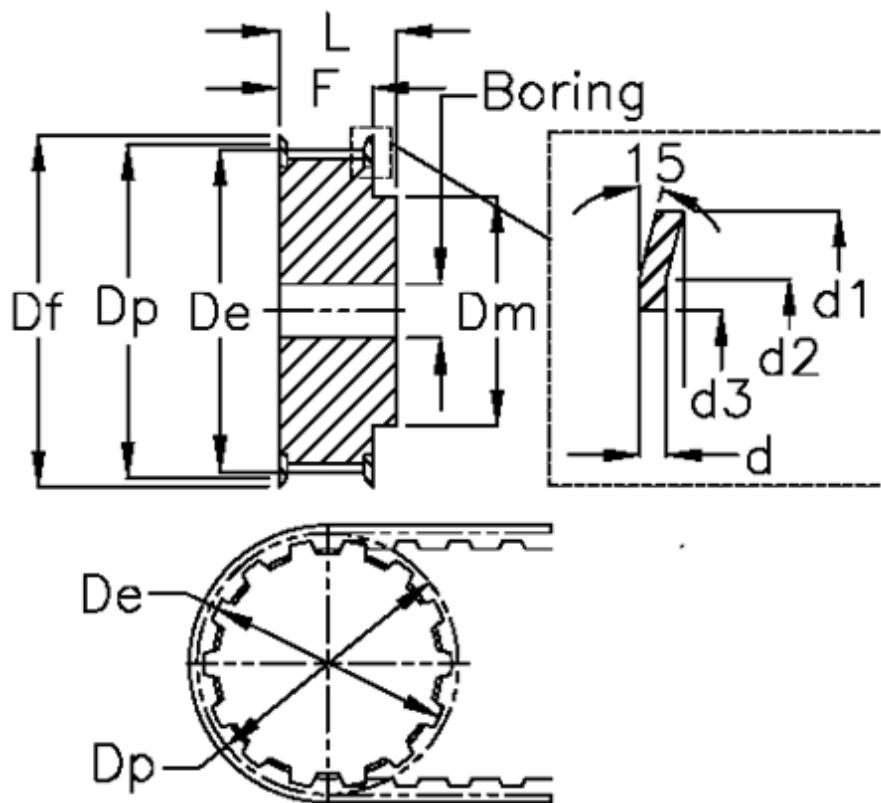


Article number: 604145056115
 Description: Timing belt pulley with hub
 HTD 56 14M 115

Measures



Bore = 32	Dp	= 249.55
d = 2.5	F	= 133
d1 = 256	Flange type	= F66
d2 = 240	L	= 148
d3 = 220	Tooth number	= 56
De = 246.76	Type	= 14M
Df = 256	Weight	= 27.5
Dm = 150	Width	= 115